

The Expert in Durable Joint Sealing.
Trusted around the Globe.

HANNO products for window, door, façade, ACM panel and roofing applications

SOLUCIONES EN APLICACIONES PARA LA CONSTRUCCIÓN





HANNO: High Quality – Hidden Talents

More than 100 years of experience, state-of-the-art equipment as well as a highly trained and motivated team guarantee innovative and high quality products „made in Germany“ for today's demanding construction world. HANNO offers a wide range of certified and proven product solutions to seal building construction joints – tested to the highest European and relevant American standards for Hannoband® including ASTM E283, ASTM E330, ASTM E331, ASTM E547 and ASTM E84.

HANNO products are suitable for window, door, façade, ACM panel and roof applications – Passive House compliant!

① **VW Nutzfahrzeuge**

Hannover, Germany
Joints sealed with Hannoband®-BG1 in brick construction.
Joint width up to 1 inch.

② **Skyscraper „Het Strijkijzer“**

The Hague, Netherlands
Joints exposed to direct weathering and exceeding >300' elevation sealed with Hannoband® BG1.

③ **Le Belvedere**

Quebec, Canada
Built to Passive House standard using Hannoband®-BG1 and Hannoband®-3E.

④ **Stadion Linden**

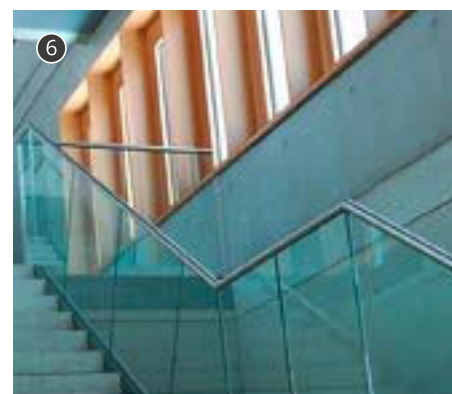
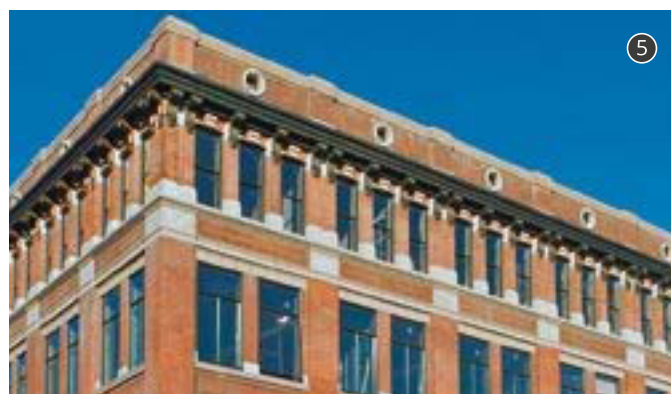
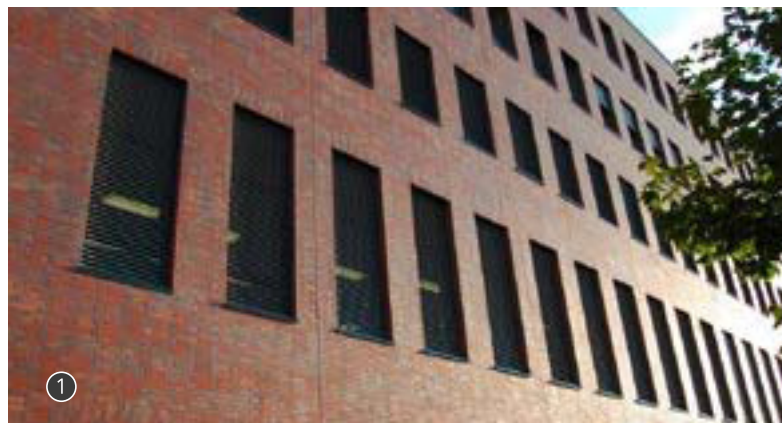
Hannover, Germany
Cross joints sealed with Hannoband®-BG1 in concrete construction.
Joint width up to 2 inches.

⑤ **Hahne's Building**

Newark, NJ - USA
Window joints sealed with Hannoband®-BG1.

⑥ **B. Braun Melsungen AG**

Melsungen, Germany
Weather protection layer and inner layer sealed with Hanno® flashing tapes.



Multi-Functional Tape

Hannoband[®]-3E / 3E BG1

The Tape with Concealed Membranes



Multi-functional tapes from HANNO are DIN 18542:2009 certified and Passive House compliant.

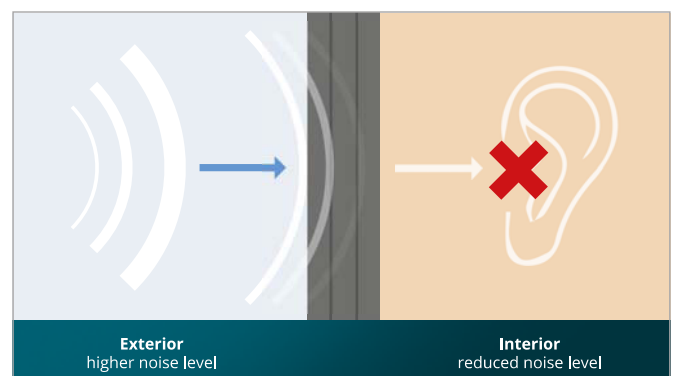
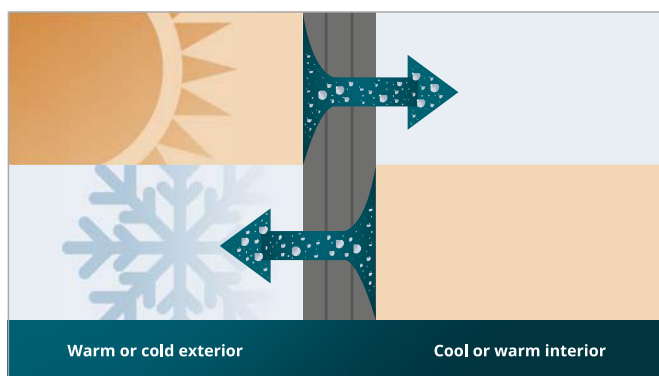
Ideal for an easy and reliable sealing of windows and doors during any weather, the „all-in-one“ multi-functional tapes are the optimum choice. Their „moisture-adapting“ membranes ensure that the joint can dry out all year. These highly innovative tapes provide an excellent thermal, sound, air and rain barrier. After their installation, the polyurethane soft foam expands in the joint and provides a durable joint sealing. Movements of building components – e.g. linked to temperature changes – are compensated even after many years.

- Resistant to driving rain up to 22 psf
- Airtight at 50 Pa in service confirmed by ift Rosenheim with 0.02 m³/(hm)
- Moisture adapting μ -value (7–44) provides optimum moisture management in the joint
- Thermal conductivity 0.297*in/h*ft²*F ($\lambda=0.0428$ W/m·K) for Passive House thermal bridges calculated
- Joint sound insulation value $R_{ST,W}$ max. 58 dB
- Extremely low VOC's: Emicode EC1^{PLUS} tested (< 5 TVOC [$\mu\text{g}/\text{m}^3$])
- 3E BG1: UV-resistant and B1 fire rated acc. to DIN 4102



Multi-Functional Tape Hannoband[®]-3E / 3E BG1
Installation Video

Moisture-Variable Principle:



Joint Sealing Tape

Hannoband®-BG1

The Original



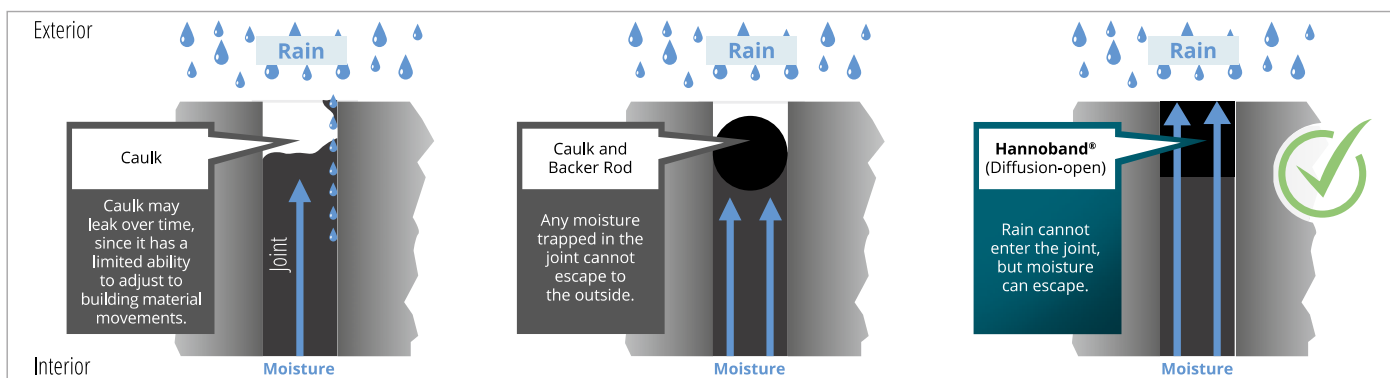
Extremely durable Hannoband®-BG1 clearly exceeds the requirements for protection against driving rain, airtightness and resistance to weathering according to the highest European standard for joint sealant tapes DIN 18542:2009 (stress group 1) – tested and certified for a field installation after 15 years in service! Hannoband® is available in various dimensions so you can find the right tape for your specific joint width. Each tape has a determined tolerance range, which is specified on each roll. Typical tape joint dimensions are e. g. 1/4 -1/2" and 3/8- 5/8". This gives peace of mind for not perfectly even joint dimensions!

- ASTM E283, ASTM E330, ASTM E331, ASTM E547, ASTM E84 tested & certified
- For heavy-duty primary and cross joints – hurricane tested based on Miami Dade wind load protocol!
- Resistant to driving rain up to 22 psf
- Tested uniform structural pressure up to 187.97 psf
- Thermal conductivity 0.285 Btu*in/h*ft²*F ($\lambda=0.0412$ W/m·K)
- Joint sound insulation value $R_{ST,W}$ max. 59 dB
- Air tightness $a_n < 1.0$



Joint Sealing Tape Hannoband®-BG1
Installation Video

Joint Moisture Scenarios for Different Sealing Options:



Flashing Tape

Hanno®-

DUO Easy 240 and DUO Easy+ 240



Hanno®-DUO Easy flashing tape was designed primarily for curtain window elements often found in low energy constructions. Hanno®-DUO Easy+ has an additional adhesive strip on the opposite side and therefore replaces conventional film tapes for many applications. Both tapes are moisture variable, which makes them suitable for exterior and interior applications. The s_d value ranges between 0.48 and 12.0 m. The high level of driving rain resistance $> 1,050$ Pa protects the joint on the exterior. On the interior, DUO Easy provides an air-tight barrier of $a_n \leq 0.1$. Both variants can also be installed during the cold season at temperatures as low as 14 °F (-10 °C).*

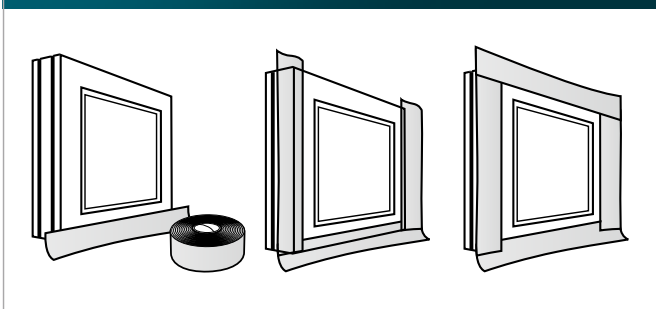
- For interior and exterior applications providing an optimal vapor / moisture management
- Moisture adapting s_d value provides optimum moisture management in the joint: s_d value $0.48 \leq s_d \leq 12.0$ m
- Driving rain tight up to 22 psf and air tight $a_n < 0.1$
- Strong adhesive layer on the tape for gluing at every surface without a primer
- Processing temperature 14 °F to 104 °F (-10 °C to +40 °C)
- Can be plastered / rendered over



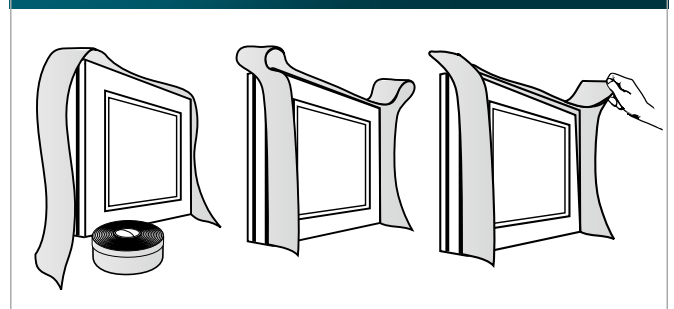
Flashing Tape Hanno®-DUO Easy
Installation Video

* Make sure that no parting plane (e. g., moisture, ice or hoar frost) is present on the gluing surface, which prevents the bonding of the adhesive to the surface.

Montage Hanno®-DUO Easy 240



Montage Hanno®-DUO Easy+ 240



Thermal Insulation Tape

Hannoband®-THERM

Thermal and Noise Insulation



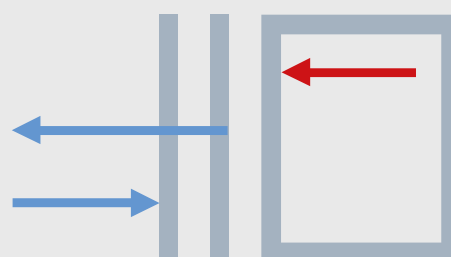
For concealed applications – cost efficient protection against draught, dust, blowing snow, moisture and noise providing excellent thermal insulation. The driving rain > 300 Pa and air tightness $a_n < 1.0$ performance depends on the compression rate of the foam. This tape is ideal to seal even large joints up to 1 1/2" and comes in various widths as from 1 1/4" to accommodate any construction situation.

- Flammability: DIN EN 13501 class E – normal flammable material
- Thermal conductivity: 0.2745 Btu*in/h*ft²*0F ($\lambda = 0.0396$ W/m·K)
- Driving rain resistance min. 6.25 psf (min. 300 Pa)
- Temperature resistance -22 °F to 176 °F (-30 °C to +80 °C)
- Extremely low VOC's: Emicode EC1^{PLUS} tested (< 5 TVOC [$\mu\text{g}/\text{m}^3$])
- Air tightness $a_n < 1.0$

Hannoband® THERM Dimensions:

Joint depth (t _f)	Area of application		Roll Length
	Min (b _{min})	Max (b _{max})	
>1 1/4"	1/5"	1"	ca. 39'
>1 1/4"	1/4"	1 1/4"	ca. 22'
>1 1/4"	5/16"	1 1/2"	ca. 25'

Hanno® Triple-Layer Joint Sealing System





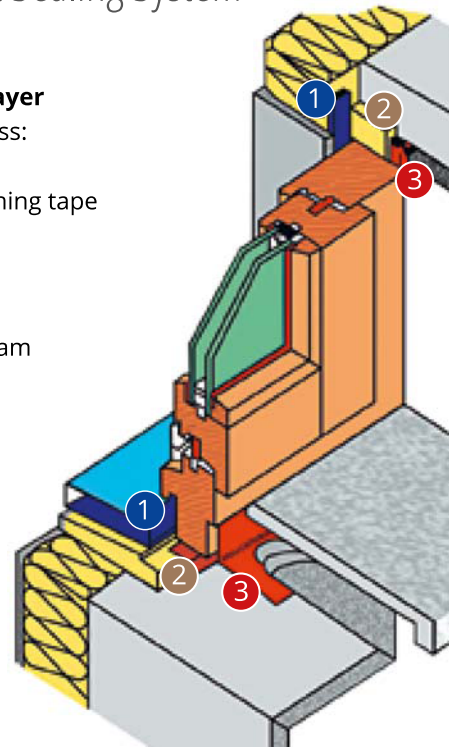
Advantages at a Glance

- Extremely durable performance (BG1 > 15 years)
- Driving rain & air tight
- Diffusion open (breathable)
- Excellent thermal and sound insulation
- BG1 rated products are resistant to UV-rays and sun exposure
- ASTM tested
- Sustainable & safe – extremely low VOC's
- Very little waste
- Quality and performance has been proven for decades

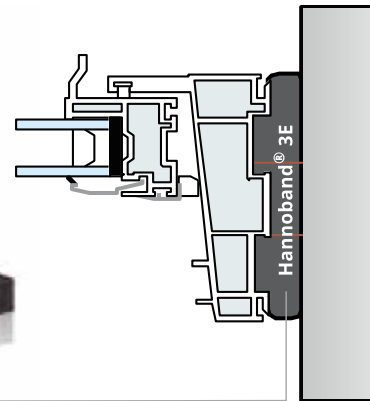
Hanno®

Triple-Layer Joint Sealing System

- 1 Weather protection layer**
For driving rain tightness:
Hannoband®-BG1 or
Hanno®-DUO Easy flashing tape
- 2 Function layer**
For thermal and sound
insulation: PU-spray foam
- 3 Inner layer**
For airtightness:
Hanno®-DUO Easy
flashing tape



Hannoband®-BG1 and 3E BG1 are resistant to UV-rays and sun exposure.



Quick and easy installation during all seasons:



Hannoband® adjusts to uneven surfaces within each tape's specific tolerance range:



The Hanno® Triple-Layer Joint Sealing System ensures tested joint sealing of windows suitable for all kind of buildings including Passive Houses in order to reduce energy costs and provides long-term performance and reliability of the sealed joint. In addition, the product range comprises high-quality flashing tapes for windows with vapor pressure gradient, several complementary products such as sealing compounds, adhesives and polyurethane foams as well as special Roller Shade Housing for air absorption and heat insulation.



HANNO
Passive House study



Germany

Hanno Werk GmbH & Co. KG
Hanno-Ring 3-5
30880 Laatzen
Germany

Phone: +49 (0) 5102 7000-0
info@hanno.com
www.hanno.com

USA

HANNO VITO Corp.
80 Pine St. – Floor 24
New York, NY 10005
USA

Phone: +1 (646) 405-1038
info@hanno-vito.com
www.hanno-vito.com

Check it out at
www.hanno.com or
www.hanno-vito.com (North America)



www.hanno-vito.com

HANNO is ISO / TS 16949
and ISO 9001 certified



USA East

World Class Supply

375 Wedgewood Road
Newark, DE 19711
USA

Phone: +1 (302) 737-1441
reid@worldclasssupply.com
www.worldclasssupply.com

USA West

Small Planet Supply

8036 River Drive SE Suite 200
Tumwater, WA 98501
USA

Phone +1 (360) 866-8779
Toll Free: +1 (855) 367-7442
info@smallplanetsupply.com
www.smallplanetsupply.com

Canada East

Herrmann's Timber-Frame Homes

896 Elizabeth St.
Curran, Ontario K0B 1C0
Canada

Phone: +1 (613) 673-1428
adrian@HerrmannFrames.com
www.herrmannframes.com

Canada West

Small Planet Supply

105 - 334 East Kent Avenue South
Vancouver, BC V5X 4N6
Canada

Phone: +1 (778) 379-8700
info@smallplanetsupply.com
www.smallplanetsupply.com